

Gigabit Network Fiber Optic Transceiver



UT-2602GC

2-Port Gigabit Network Fiber Optic Transceiver



- Adopt high quality optoelectronic integrated modules to provide good optical and electrical characteristics, ensure reliable data transmission and long lifecycle
- Supports full-duplex and half-duplex, auto negotiation
- Auto-10/100/1000Mbps
- Fully automatic recognition of network interface
- Plug and play for easy access
- Operating temperature: -20 ~ 70°C
- Input voltage:12/24/48VDC(10.8~52.8VDC), supports reverse polarity protection
- Support various fiber optic interfaces(SC/ST/FC/SFP)



OVERVIEW

UT-2602GC series is a Gigabit network fiber optic transceiver, providing 2 10/100/1000Base-T Ethernet ports and 1 1000Base-X optical port; it is used for Ethernet port and optical cable data communication, it is suitable for the scenarios of intelligent community or FTTD(fiber to the desk).The series of products support -20 ~ 70°C operating temperature and good EMC performance to ensure normal operation in harsh environments, the series switch will greatly extend the distance of network transmission, can easily achieve the interconnection between the main board server, repeater, hub, and terminal, for video surveillance, finance, education and other industries to build a network to provide cost-effective, safe and reliable solutions.

SPECIFICATION

Protocol Standards

IEEE 802.3, IEEE 802.3u, IEEE 802.3z, IEEE 802.3ab, IEEE 802.3x

Interfaces

Fiber interfaces: 1*1000Base-X (SC/FC/ST)

RJ45 interface: 2*10/100/1000Base-T, auto-detection full/half-duplex, auto MDI/MDI-X

Switching Performance

Forwarding Rate: 1488095pps

Transmission mode: Store and Forward

MAC address size: 2K

Cache size: 1Mb

Backplane bandwidth: 6G

Max. frame length: 16KB

Mechanical Characteristics

IP protection level: IP40

Installation: DIN-Rail Mounted

Power Requirement

Voltage input: 12/24/48VDC(10.8~52.8VDC)

Power consumption: 100mA@24Vmax

Terminal block: One pluggable 3-pin terminal block

Overload protection: Support

Reversal protection: Support

LED indicator light

PWR, FDX

Index parameter		1000Base-X			
		Multi-mode	Single-mode		
Dual fiber transmitting and receiving wavelength		1310	1310	1310	1550
Transmission signal fiber(Ttype)	Transmission wavelength nm	1310	1310	1310	1490
	Receive wavelength nm	1550	1550	1550	1550
Receive signal fiber(R type)	Transmission wavelength nm	1550	1550	1550	1550
	Receive wavelength nm	1310	1310	1310	1490
Transmission distance Km		2	20	40	80
Transmit power dBm		-6~-1	-9~-3	-2~-3	-2~-3
Receive sensitivity dBm(≤)		-21	-23	-23	-24
Optical saturation dBm		0	-3	-3	-3
Optical loss dBm /Km		0.5	0.5	0.3	0.25
Electrical port data transmission		10/100/1000Mbps			

For example: UT-2602GCRSM-SC-40, "R" is receiving single fiber, "SM" is single mode,

"SC" fiber interface type is SC head, "40" transmission km for 40km

Operating Environment

Operating temperature: -20 ~ 70°C

Storage temperature: -40 ~ 85°C

Relative humidity: 0 ~ 95%

Mechanical Dimension

Dimension (W x H x D): 100mm x 80mm x 35mm

Weight: 0.47kg

Packaging dimension: 280mm x 140mm x 45mm

Industrial Standards

EMI:

FCC Part 15 Subpart B class A, EN55022 class A

EMS:

IEC(EN)61000-4-2(ESD)

IEC(EN)61000-4-3(RS)

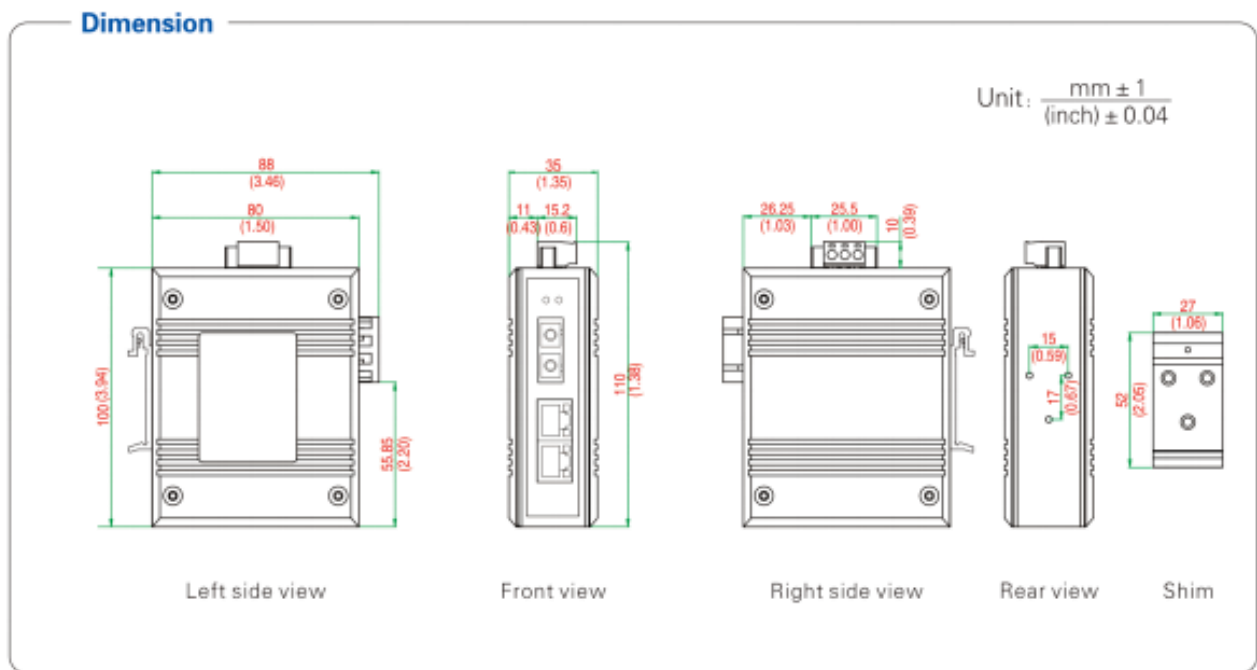
IEC(EN)61000-4-4(EFT)

IEC(EN)61000-4-5(Surge)

IEC(EN)61000-4-6(CS)

IEC(EN)61000-4-8

IEC 60068-2-27(Shock)



ORDERING

Model	Interface		Optical port description
	10/100/1000Base-T	1000Base-X	
UT-2602GCSM-SC	2	1	Single-mode dual-fiber SC
UT-2602GCSM-ST	2	1	Single-mode dual-fiber ST
UT-2602GCSM-FC	2	1	Single-mode dual-fiber FC
UT-2602GCMM-SC	2	1	Multi-mode dual-Fiber SC
UT-2602GCMM-ST	2	1	Multi-mode dual-Fiber ST
UT-2602GCMM-FC	2	1	Multi-mode dual-Fiber FC
UT-2602GCP	2	1	SFP slot