

Model:UT-5816

8-channel switching input 16-channel voltage output I/O controller

Datasheet

1. Overview

UT-5816 is an 8-channel dry contact input and 16-channel voltage output module; the input and output have corresponding signal indicators to show the status. The module can be remotely controlled by a series of commands, and the module and the host computer communicate via RS-232 using the command data form. The communication baud rate is 9600bps, which is widely used in industrial control and automation fields.

2. Main Function, Feature

- 8 switching inputs 16 voltage outputs I/O controller

3. Technical Parameters

- Operating voltage: 12VDC
- 8 inputs, input is switching; 16 outputs, each output DC12V1A(Max)
- Input characteristics: 8-port signal dry contact input, each road has signal input indicator
- Output characteristics: 16-port output, each output 12V 500mA, output signal indicator
- Signal interface: RS-232 end DB9 female connector, 600W per line anti-surge protection
- Supply voltage: DC12V (no-load \leq 40mA)
- Throughput rate: 9600bps
- Data bits: 8
- Stop bits: 1
- No parity
- Dimension: 96mm×90mm×38mm
- Operating environment: -40 ~ 85 °C, relative humidity of 5~ 95%

4. Interface Definition

- RS-232 Pin Definition

DB9 Female(PIN)	RS-232 Interface Signal
1, 4, 6, 7, 8, 9	/
2	Transmitting data SOUT (TXD)
3	Receiving data SIN (RXD)
5	GND

● **Input Interface Pin Definition**

PIN	PIN Name	PIN Meaning
1, 2	GND	Input signal ground (dry contact common)
3	INPUT1	1st dry contact signal input
4	INPUT2	2nd dry contact signal input
5	INPUT3	3rd dry contact signal input
6	INPUT4	4th dry contact signal input
7	INPUT5	5th dry contact signal input
8	INPUT6	6th dry contact signal input
9	INPUT7	7th dry contact signal input
10	INPUT8	8th dry contact signal input

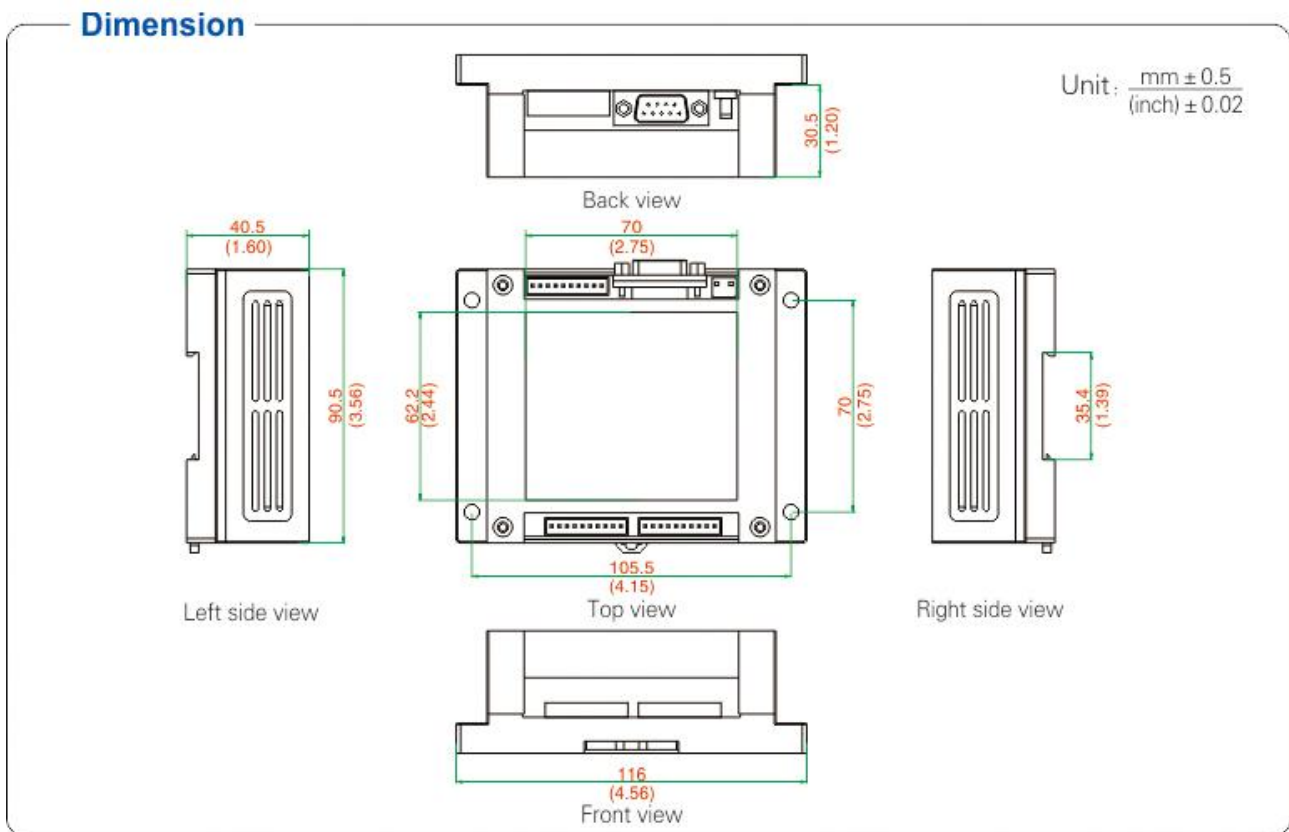
● **Output Interface Pin Definition**

PIN	PIN Name	PIN Meaning
1	OUT 1	1st voltage output (12V500mA)
2	OUT 2	2nd voltage output (12V500mA)
3	OUT 3	3rd voltage output (12V500mA)
4	OUT 4	4th voltage output (12V500mA)
5	OUT 5	5th voltage output (12V500mA)
6	OUT 6	6th voltage output (12V500mA)
7	OUT 7	7th voltage output (12V500mA)
8	OUT 8	8th voltage output (12V500mA)
9, 10	GND	Power ground (output common)
11	OUT 9	9th voltage output (12V500mA)
12	OUT 10	10th voltage output (12V500mA)
13	OUT 11	11st voltage output (12V500mA)
14	OUT 12	12nd voltage output (12V500mA)
15	OUT 13	13rd voltage output (12V500mA)
16	OUT 14	14th voltage output (12V500mA)
17	OUT 15	15th voltage output (12V500mA)
18	OUT 16	16th voltage output (12V500mA)
19, 20	GND	Power ground (output common)

5. Product View (Appearance)



6. Structure Dimension



7. Ordering Information

Ordering

Model	Signal/ Interface		Protection level	Baud rate	Operating Environment			Power	
	RS-232	I/O			Temperature		Humidity		
	DB9 Female	PH2.54	RS-232		-25~70℃	-40~85℃	5~95%	plug and play	External power
UT-5816	√	√	600W Surge	9600bps		√	√		12VDC ±1V