

Model: UT-210

(Product Name: RS-232 TO TTL Interface Converter)

Datasheet

1. Overview

In order to carry through remote digital communication between external devices or intelligent instruments with various standards serial interfaces, standard serial conversion is necessary. UT-210 interface converter converts data (TXD,RXD) of RS-232C to TTL/COMS; the TTL electrical level is 0-5V, without external power supply. It adopts unique "RS-232 charge pump" technology to drive the system, and gains power without initializing RS-232 serial port, with internal zero delay auto transceiver and unique I/O circuit data flow direction automatic control, there is no need any handshake signals(such as RTS, DTR, etc), and this guarantees that there is no need to modify the programming under RS-232 full-duplex mode, it can run smoothly and compatible with current software and hardware under TTL mode. The baudrate is 300-115.2Kbps.

2. Major Functions & Features

- Support RS-232 TO TTL interface converter

3. Technical parameters

- Interface feature: RS-232C, TTL/COMS standard interface compatible with EIA, TIA
- Electric interface: RS-232 side DB9 female connector, TTL side DB9 male connector, with active screw
- Operating mode: asynchronism full-duplex differential transmission
- Transmission media: twisted -pair or STP
- Transmission rate: 300-115.2KBPS
- Dimension: 63mm X33mmX17mm
- Operating environment: - 25 to 70°C, relative humidity 5% to 95%
- Transmission distance: 5m

4. Product View (Appearance)



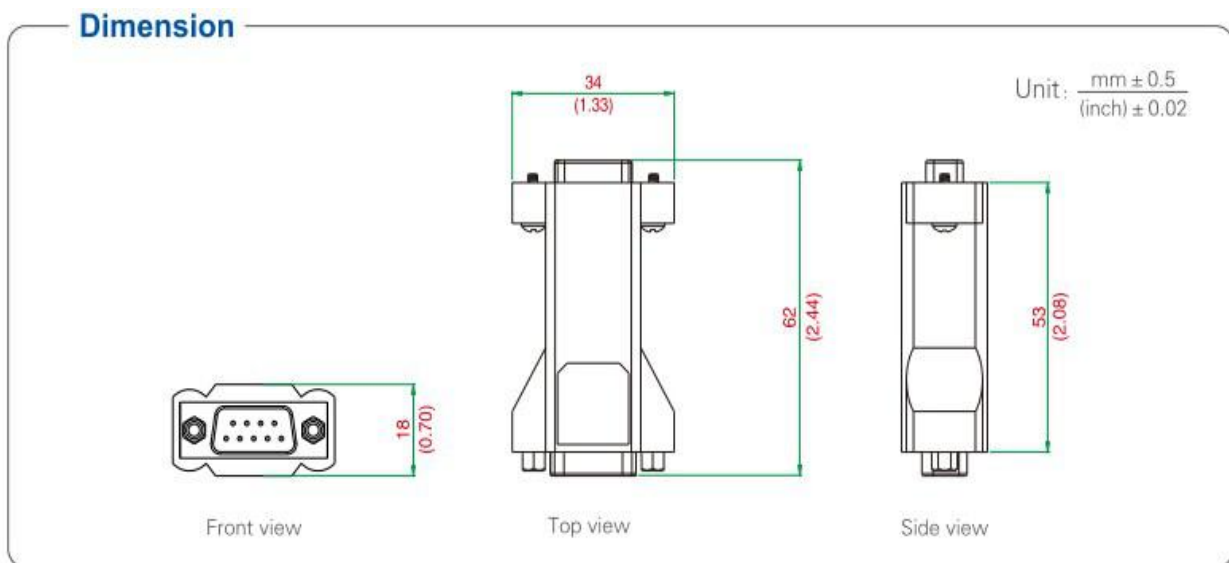
RS-232C Pin Distribution

DB9 Female (PIN)	RS-232C Interface Signal
1	DCD
2	Send data SOUT (TXD)
3	Receive data SIN (RXD)
4	DTS
5	Signal grounding GND
6	DTR
7	RTS
8	CTS
9	RI

TTL output signal pin distribution

DB9 Male (PIN)	Output signal	TTL Output (5V)
1	RXD	Receive Data
2	TXD	Send Data
3	None	None
4	None	None
5	Grounding	Grounding
6	+5V	+5V power input backup
7,8,9	None	None

5. Structure Dimension View



Application

Point-to-point TTL device monitoring system



Ordering

Model	Signal/Port			Protection		Baudrate	Environment			Power	
	RS-232	TTL5V	TTL3.3V				Temperature		Humidity		
	DB9 female	DB9 male		RS-232	TTL 5/3.3V		-25/70°C	-40/85°C	5-95%	Port-Powered	External Power
UT-210	✓	✓		±3KV ESD		300bps-115.2kbps		✓	✓	✓	
UT-210T	✓		✓	±3KV ESD		300bps-115.2kbps		✓	✓	✓	