

Model: UT-215

(Product Name: Serial Port Optical Isolator)

Datasheet

1. Brand and Manufacturer Information

- Brand: UTEK Technology (UTEK)
- Manufacturer:
- Logo: 

2. Material Model and Version

- Model: UT-215
- Version: VER:01

3. Main Functions and Features

- Supports RS-232 Serial Port Optical Isolation.

4. Technical Parameters

1. Interface: Complies with EIA RS-232 and CCITT V.24 asynchronous protocols
2. Connectors: DB9 connectors on both sides
3. Transmission Mode: Asynchronous, full-duplex, full-transparent
4. Isolation Voltage: 2500Vrms pulse or 500VDC continuous
5. Baud Rate: 300bps-38400bps
6. Power Supply: Powered from the RS-232 port (TXD, RTS, or DTR)
7. Dimensions: 63mm×33mm×17mm
8. Weight: 30g
9. Operating Environment: -40°C to 85°C, relative humidity 5% to 95%

5. Hardware Definition and Initial Settings

RS-232C DTE End Pin out

DB9 Connector (PIN)	RS-232C Interface Signal
1	Protective Ground
2	Transmit Data (TXD)
3	Receive Data (RXD)
4	Data Terminal Ready (DTR)
5	Signal Ground (GND)
6	Data Set Ready (DSR)
7	Request to Send (RTS)
8	Clear to Send (CTS)
9	Ring Indicator (RI)

RS-232C DCE End Pin out

DB9 Connector (PIN)	RS-232C Interface Signal
1	Protective Ground
2	Receive Data (RXD)
3	Transmit Data (TXD)
4	Data Terminal Ready (DTR)
5	Signal Ground (GND)
6	Data Set Ready (DSR)
7	Request to Send (RTS)
8	Clear to Send (CTS)
9	Ring Indicator (RI)

6. Appearance



7. Product Certification and Compliance Information (Legal Regulations)

Shenzhen EMTEK Co., Ltd.
 Big 8th Muzatong Industry Zone, Nanshan District, Shenzhen, Guangdong, 518052 P.R. China
 www.emtek.com.cn Tel: +86-755-2685-4200 Fax: +86-755-2685-4282

Certificate of Conformity

NO.: E805123E

The following products have been tested by us with the listed standards and found in conformity with the council EMC directive 2004/108/EC. It is possible to use CE marking to demonstrate the conformity with this EMC Directive.

Applicant	: UTEK TECHNOLOGY(SHENZHEN) CO., LTD.
Address	: 7/F, No.1, Xinghua 1 Road, District 44, Baoan, Shenzhen
Manufacturer	: UTEK TECHNOLOGY(SHENZHEN) CO., LTD.
Address	: 7/F, No.1, Xinghua 1 Road, District 44, Baoan, Shenzhen
Trade Mark	: UTEK
EUT	: Interface Converters
M/N	: UT-215, UT-2112, UT-2212, UT-3212
Test Standards	: EN55022: 2006 EN55024: 1998+A1: 2001+A2: 2003

(Manager)
 May 28, 2008

The test report was carried out from the submitted type samples of a product in conformity with the specification of the respective standards. The certificate holder has the right to fix the CE-mark for EMC directive on the product complying with the inspection samples.

Shenzhen EMTEK Co., Ltd.
 Big 8th Muzatong Industry Zone, Nanshan District, Shenzhen, Guangdong, 518052 P.R. China
 www.emtek.com.cn Tel: +86-755-2685-4200 Fax: +86-755-2685-4282

Declaration of Conformity

This device is in conformance with Part 15 of the FCC Rules and Regulations. Operation of this product is subject to the following two conditions: (1) this device may not cause harmful interference, and (2) this device must accept any interference received, including interference that may cause undesired operation.

Applicant	: UTEK TECHNOLOGY(SHENZHEN) CO., LTD.
Address	: 7/F, No.1, Xinghua 1 Road, District 44, Baoan, Shenzhen
Manufacturer	: UTEK TECHNOLOGY(SHENZHEN) CO., LTD.
Address	: 7/F, No.1, Xinghua 1 Road, District 44, Baoan, Shenzhen
Trade Mark	: UTEK

EUT Certification Summary

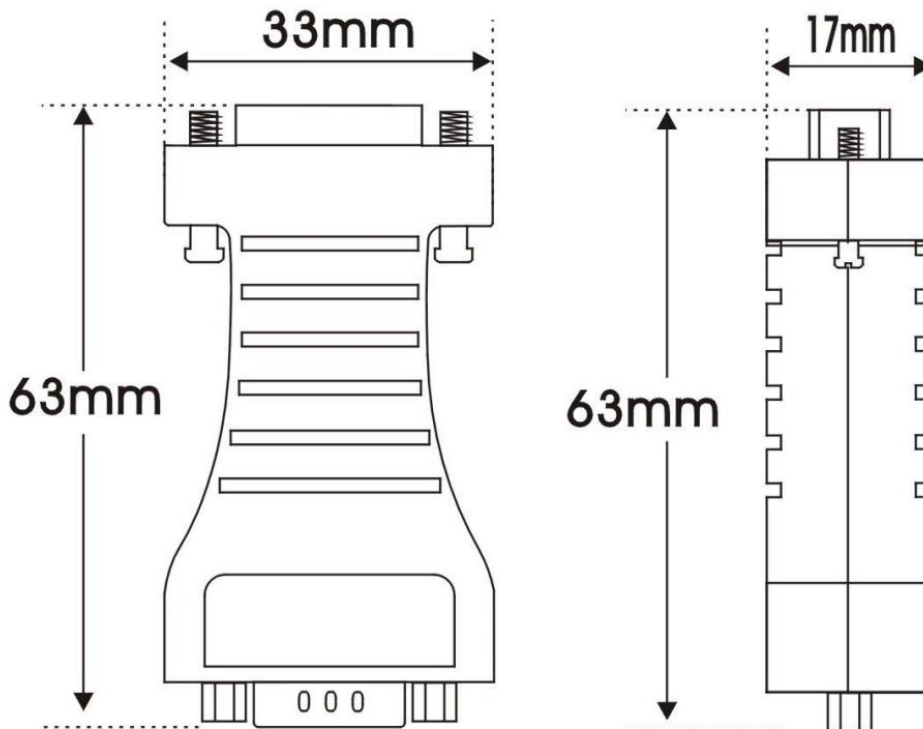
Equipment Class	: FCC Part 15 Class B
Report Number	: E805123F
Tested by	: SHEN ZHEN EMTEK CO., LTD

We, the responsible party:
UTEK TECHNOLOGY(SHENZHEN) CO., LTD.
Declare that the product
Interface Converters
M/N: UT-215, UT-2112, UT-2212, UT-3212

(Manager)
 May 28, 2008

Was tested to conform to the applicable FCC Rules and Regulations. The method of testing was in accordance to the most accurate measurement standards possible, and that all necessary steps have been enforced to assure that all production units of the same equipment will continue to comply with the Federal Communications Commission's requirements.

8. Dimensions



9. Product Label (Including Certification Marks)



10. Accessories List

Name	Quantity(unit)
Packaging Box	1 PCS
Pearl Cotton	1 PCS
User Manual	1 PCS

11. Packaging Method and Outer Box Markings



Packaging Box Dimensions: 160×105×55mm

Note: Production batch number and production date are subject to actual goods.

12. Storage and Transportation Requirements

Storage Temperature: -40°C to +85°C, relative humidity 5% to 95%

13. Processing/Assembly/Installation Instructions (Optional)

14. Test Methods for Typical Parameters (Optional)

15. Product Warranty and Service Information (Optional)