

Model: UT-B201

Video lightning protector

Datasheet

UTEK TECHNOLOGY CO., LTD.
Address: No. 47, Zhongyuan Road, Zhongyuan Industrial Park, Zhongyuan Town, Zhongyuan District, Suzhou, Jiangsu Province, China
Tel: +86 512 6277 1000 Fax: +86 512 6277 1001
E-mail: sales@utek.com.cn

1. Overview

This lightning surge protector refers to the national standard IEC61643-21:2000 / GB/T18802.21 design. With the development of the national economy, the development of the Internet era is increasingly new, the rapid progress in the development of Internet technology. However, it cannot ignore the existence of this or that problem in the development, safety issues are put in the first place. Daily life, lightning damage to electronic equipment is the most serious, the threat of static electricity is also everywhere, in order to the majority of users have a safer use of the environment, the call to improve the reliability of equipment requirements are becoming stronger.

Applicable to control signals, video signals for the integrated monitoring system signal overvoltage protection, so that it is protected from damage caused by induction overvoltage, operating overvoltage and electrostatic discharge.

2. Major Functions & Features

- Suitable for control signals, video signals as one of the monitoring system signal overvoltage protection, so that it is protected from induction overvoltage, operating overvoltage and electrostatic discharge, etc.

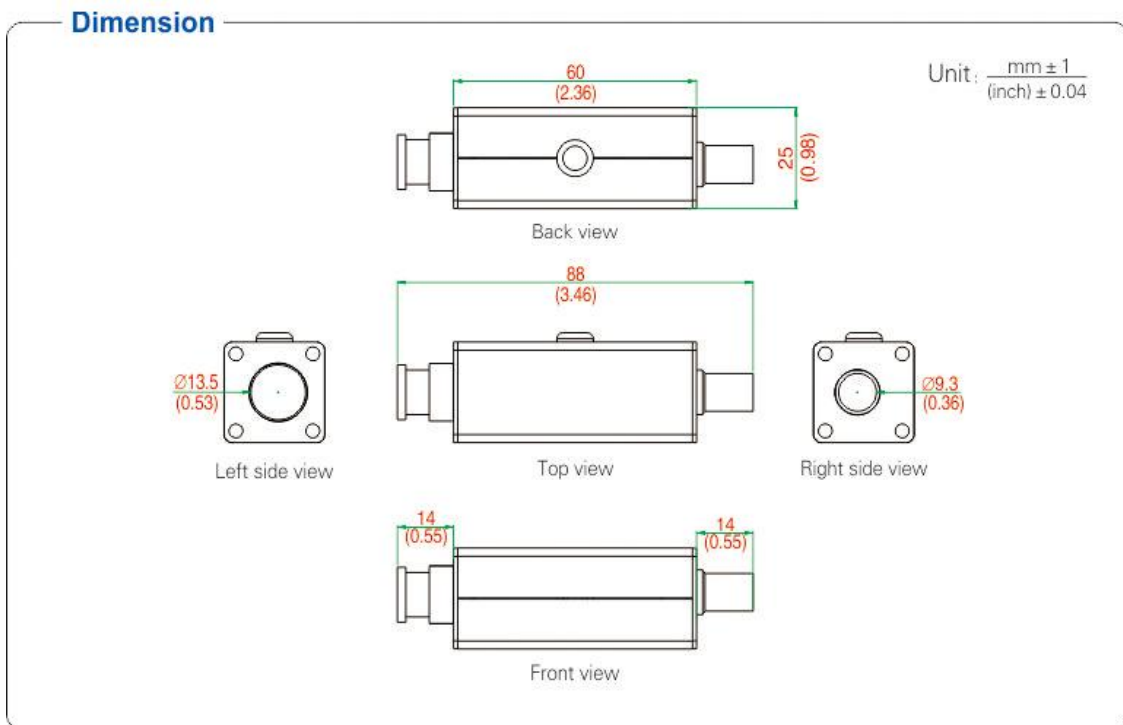
3. Technical Parameters

- Rated operating voltage U_n : 5V
- Max. DC operating voltage U_c : 6V
- Max. AC operating voltage U_c : 4.2V
- Rated operating current I_L : 0.12A
- Nominal discharge current (8/20 us) I_n : 5KA
- Max. discharge current I_n : 10KA
- Limiting voltage U_{pl} : $\leq 13V$
- Series impedance characteristics of the line R_o : 10 Ohm
- Capacitance value between line and ground C_{pe} : ≤ 10 pF
- Response time t_a : < 1 ns
- Operating temperature range: $-40 \sim 85^\circ C$
- Test standard: IEC61000-4-5
- Test level: X
- Insulation resistance: $> 1M \Omega$
- Insertion loss (dB): ≤ 0.5 dB
- Enclosure protection level: IP30
- Dimension: 25 x 25 x 88mm
- Enclosure material: shielded metal aluminum
- Wiring form: BNC(K/J)
- Anti-static Level: 4
- Transmission rate (BPS): 200M

4. Product View (Appearance)



6. Structure Dimension



7. Ordering Information

Model	Signal/ Interface		Interface protection level	Buad rate	Environment			Power			
	IN	OUT			Temperature		Humidity	Port-Power	External power		
					-25~70°C	-40~85°C					
UT-B201	BNC(K/J)	BNC(K/J)	5KV-10KV			-25~70°C	-40~85°C	5~95%	√	√	√