

# Model: UT-5535

(Product Name: Water Immersion Sensor)

# Datasheet

## 1. Brand and Manufacturer Information

- Brand: UTEK Technology (UTEK)
- Manufacturer:
- Logo: 

## 2. Material Model and Version

- Model: UT-5535
- Version: VER:01

## 3. Overview

Water immersion sensor is widely used in communication base stations, hotels, restaurants, data centers, libraries, archives, warehouses, equipment, cabinets, and other places where water alarm is needed. It adopts unique AC detection technology, effectively avoiding the problem of decreased water leakage sensitivity due to the long-term oxidation of the water immersion electrode. The RS-485 output follows the standard Modbus-RTU, with a maximum communication distance of 2000 meters. It can be directly connected to PLCs, industrial control instruments, HMI, or SCADA software on-site. The external leak electrode can reach up to 2600 meters, and a leak rope up to 2600 meters can also be connected. The device adopts a waterproof shell, with a high protection level, suitable for long-term use in humid, high-dust, and harsh environments.

## 4. Technical Parameters

Voltage Input	DC10-30V	
Maximum Power Consumption	No Load	0.24W
	Full Load	0.48W
Detection Object	Tap Water, Pure Water	
Operating Temperature	-20°C~+60°C, 0%RH~95%RH	
Output Signal	Relay Output	Normally Open Contact
	RS-485 Output	RS-485 (Modbus Protocol)
	RS-485 Output + Relay Output	RS-485 (Modbus Protocol) + Normally Open Contact
Electromagnetic Compatibility Test	Electrostatic Discharge Immunity	Contact Discharge 6kV / Air Discharge 8kV
	Surge Immunity	Power/Serial Port Common Mode 1kV
	Electrical Fast Transient Burst Immunity	Power/Serial Port 1kV
	Insulation Resistance	Relay to Signal Ground 500VDC

	Dielectric Strength	Relay to Signal Ground 500VAC
--	---------------------	----------------------------------

## 5. Wiring Definitions

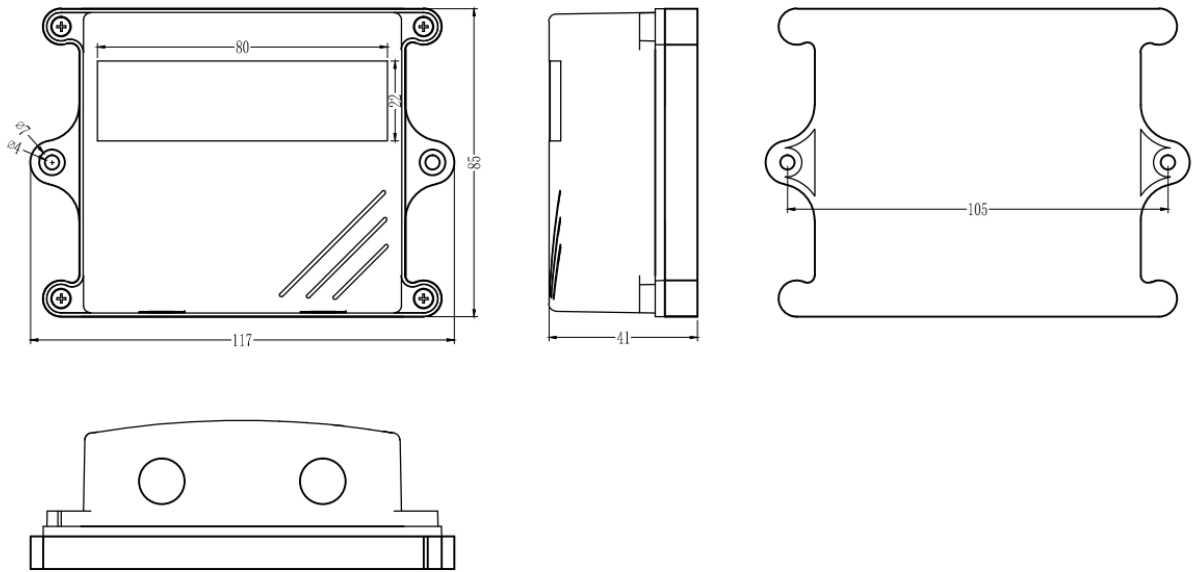
Wire Color	Definition
Red	Power Positive (VCC)
Black	Power Negative (GND)
Yellow	485 Positive (485A)
Green	485 Negative (485B)
Brown	Relay Common Terminal (COM)
White	Relay Normally Open Contact (NO)

## 6. Appearance



Note: Production batch number and production date are subject to actual goods.

## 7. Dimensions



## 8. Accessories List

Name	Quality(unit)
UT-5535	1
Screws and Expansion Screws	3
Certificate of Conformity	1
Warranty Card	1