



## Model:UT-754P 4-Port Industrial RS-232 PCI Multi-Serial Port Card

### I. Summary

The UT-754P is a general use PCI serial port card designed for POS and ATM application. It can be used in industrial automation system manufacturing and system integration. The UT-754P provides Four RS-232 serial ports and can be connected to equipment with multiple serial ports like PCs, terminal devices, modems, printers, scanners, etc. The data speed of each port can reach up to 921.6Kbps and provide a modem control signal, which can ensure the compatibility serial port equipment with peripherals. The UT-754P can work under a 3.3V or 5V PCI bus, allowing the serial port card to be installed in any usable PC or server.

### II. Product Features:

#### Hardware Interface

Connection Type: DR44 Female x 1

Bus: 32 bit Universal PCI

Signal RS-232: DCD, RXD, TXD, DTR, GND, DSR, RTS, CTS, RI

Transmission Speed: 300bps-921.6Kbps

Data Bit: 5, 6, 7, 8

Stop Bit: 1, 1.5, 2

Parity Bit: None, Even, Odd, Space, Mark

Flow Control: RTS/CTS XON/XOFF

Operating temperature: -40°C ~85°C

Supporting System: Win98/2000, WinXP/2003/Vista/2008 32/64,  
DOS/Linux 2.4/2.6

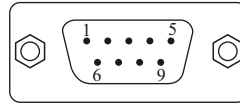
The speed of the RS-232 interface can reach up to 921.6Kbps and supports 256byte FIFO driver and internal soft and hardware flow controls. The general use PCI is compatible with 3.3/5V PCI and PCI-X.

### III、 Connector and Signal:

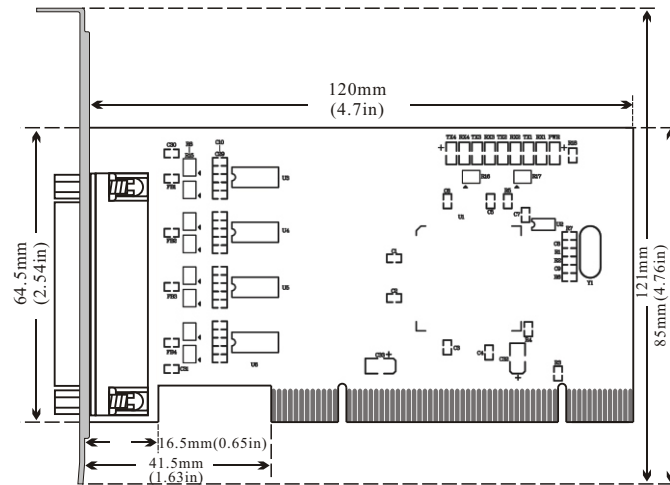
DB9 PIN: the RS-232C output signal pin allocation (Port 1 Port 4)

DB9 (PIN)	RS-232C Interface Signal
1	Protection Ground
2	Receive Data SIN (RXD)
3	Send Data SOUT (TXD)
4	Data Terminal Preparation DTR
5	Signal Ground GND
6	Data Device Preparation DSR
7	Request Send RTS
8	Cancel Send CTS
9	Ring Indicator RI

DB9 PIN



### V、 Product Appearance



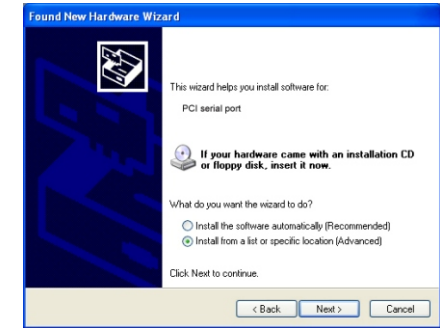
### VI. Faults and Ruling Out

#### 1、 Data Communication Failure

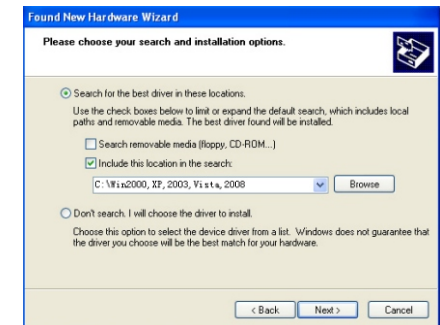
- A、 Check PCI Interface
  - B、 Check if RS-232C Output Interface Line is Correct
  - C、 Check if the Power Supply Light is Lit
  - D、 Check if the Line Terminal is Connected Properly
  - E、 Check if the Receiving Indicator is Flashing during Reception
  - F、 Check if the Sending Indicator is Flashing during Sending
- 2、 Data Loss or Mistake
- A、 Check if the speed and format of the data signal for both equipment terminals is the same

### VII、 Steps for Installing the Driver

When the UT-754P is inserted, the system will automatically open the following window. Choose [In stall from a list or specific location(Advanced)] and click [Next].



The window opened by the system to select an installation path should appear as shown below. Choose [Search for the best driven in these locations] and then choose [Include this location in the search]. Click the [Browse] button and choose a folder on the CD. If you are using Windows XP, click on the Win2000, XP, 2003, Vista, 2008 folder. If you are using another system, click the corresponding folder. Then click [Next].



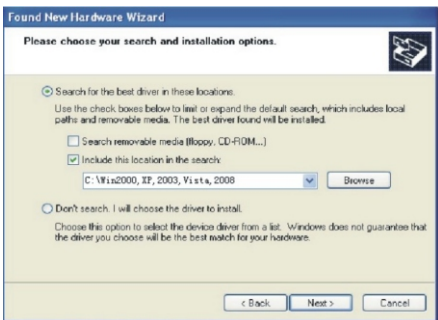
After you have searched for, found and installed the driver, click [Finish] button.



The hardware guide will appear in another window. This will install the driver for the 4 serial ports. Choose [Install from a list or specific location (Advanced)] and click [Next].



The window opened by the system to select an installation path should appear as shown below. Choose [Search for the best driver in these locations] and then choose [Include this location in the search]. Click the [Browse] button and choose a folder on the CD. If you are using Windows XP, click on the Win2000, XP, 2003, Vista, 2008 folder. If you are using another system, click the corresponding folder. Then click [Next].



After searching for, finding and installing the driver, click the XXX button.



Repeat these steps to complete driver installation for the remaining 3 serial ports and they will be ready for use.

After the drivers have been installed, open the equipment manager and see if the device panel has any virtual COM ports. If the system had not previously installed any serial port drivers, the system's default COM ports are COM 3, 4, 5, 6. As shown in the image below, all drivers for the UT-754P have been fully installed.

